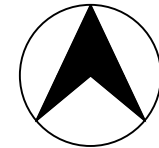


General notes:

- 1- All dimensions in meters unless stated.
- 2- Don't scale from this drawing.
- 3- Any description found in the drawing is to be immediately brought to the notice and clarified with the main designer or supply unit.



Project Title:

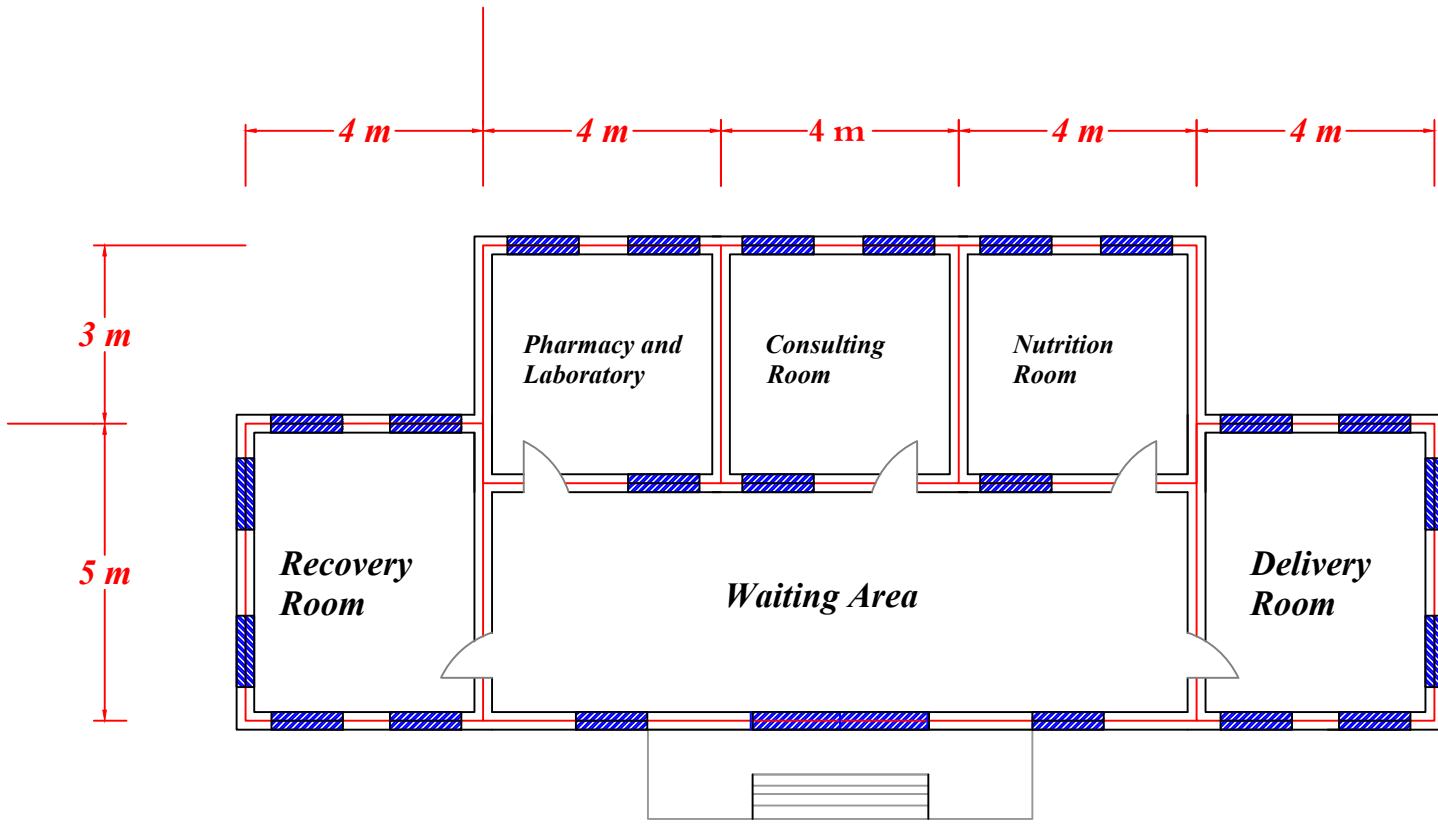
Motherhood & Childhood care center

Drawing Title:

General layout

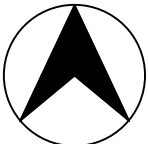


UNHCR
The UN Refugee Agency



General notes:

- 1- All dimensions in meters unless stated.
- 2- Don't scale from this drawing.
- 3- Any description found in the drawing is to be immediately brought to the notice and clarified with the main designer or supply unit.



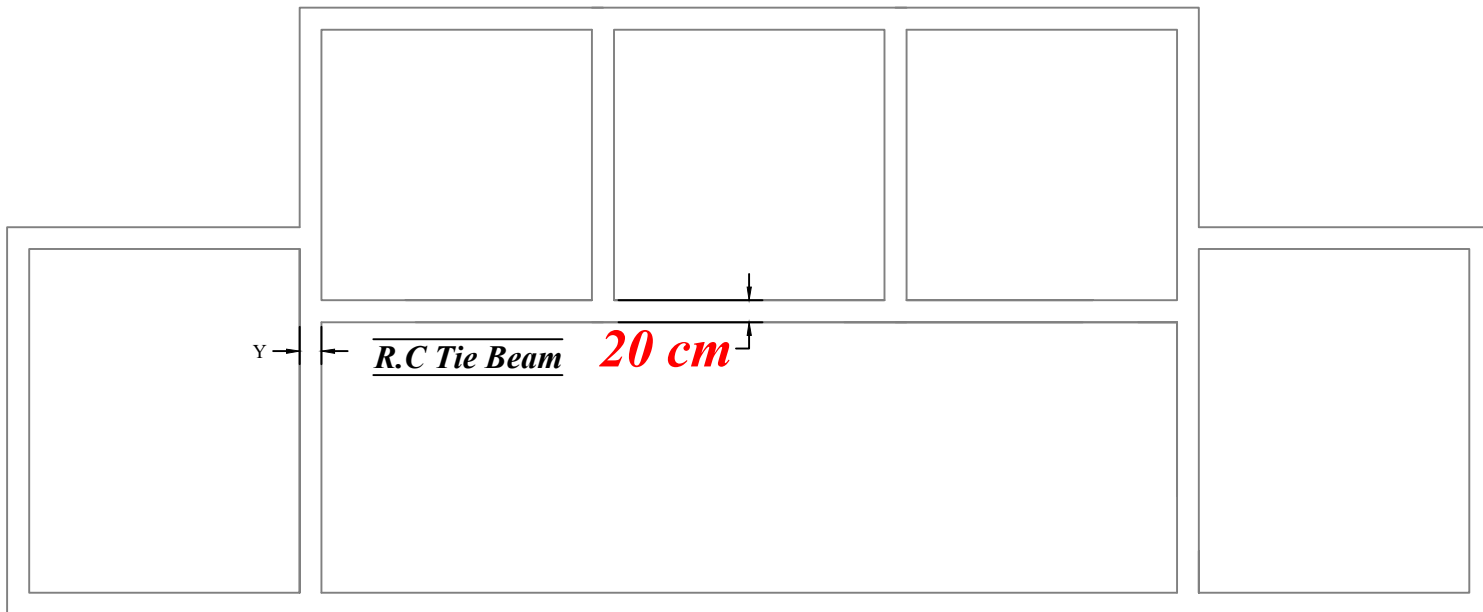
Project Title:

Motherhood & Childhood care center

Drawing Title:

Rooms layout





General notes:

- 1- All dimensions in meters unless stated.
- 2- Don't scale from this drawing.
- 3- Any description found in the drawing is to be immediately brought to the notice and clarified with the main designer or supply unit.
- 4- Concrete for Tie beam 1:2:4 ratio with 20x30 cm with 12mm steel bar and use 8 mm for stirrups

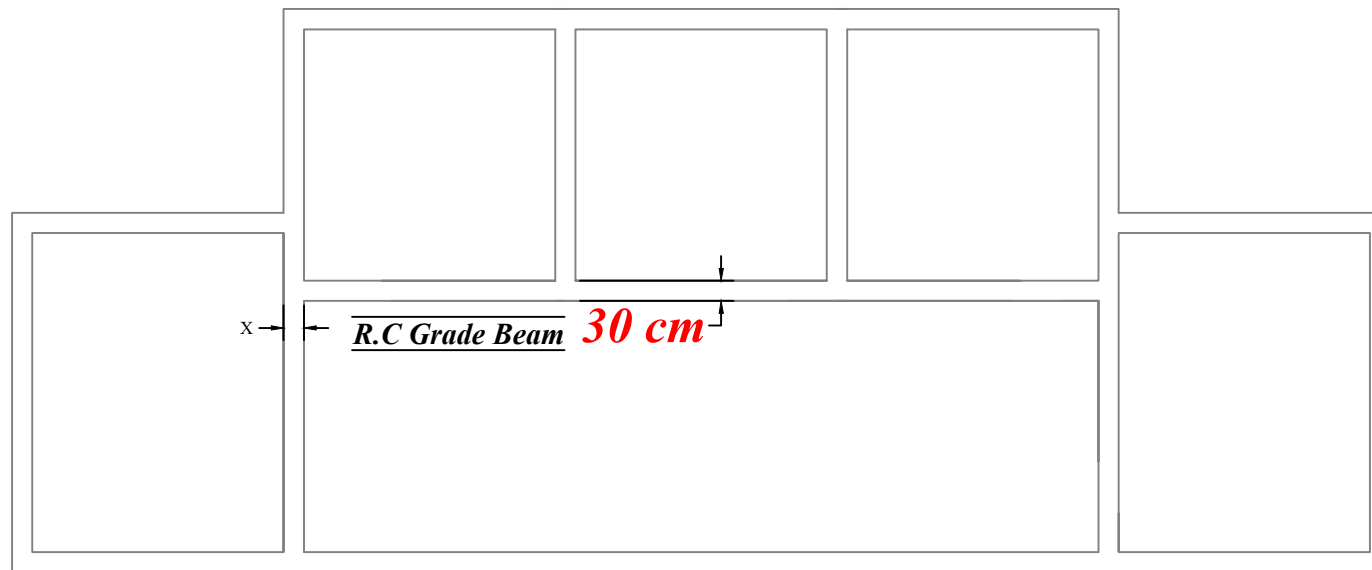
Project Title:

Motherhood & Childhood care center

Drawing Title:

Reinforced concrete Tie beam





General notes:

- 1- All dimensions in meters unless stated.
- 2- Don't scale from this drawing.
- 3- Any description found in the drawing is to be immediately brought to the notice and clarified with the main designer or supply unit.
- 4- Concrete for Grade beam 1:2:4 ratio with 40x30 cm with 12mm steel bar and use 8 mm for stirrups

Project Title:

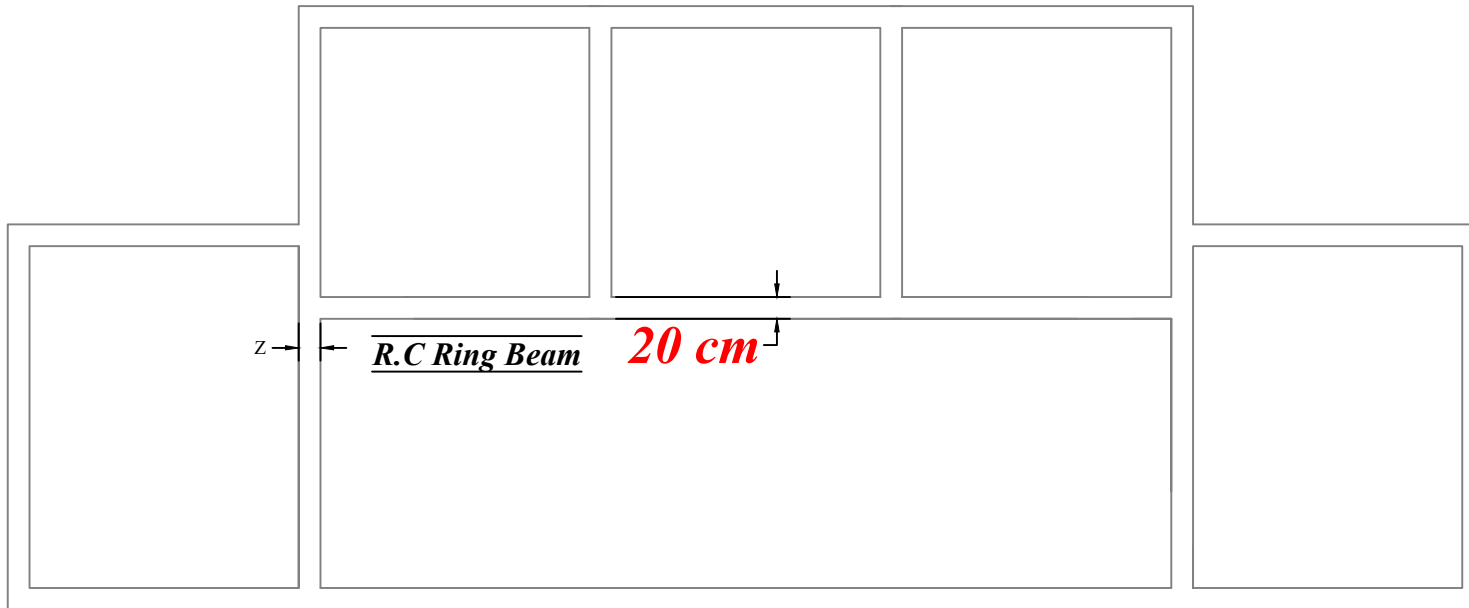
Motherhood & Childhood care center

Drawing Title:

Reinforced concrete Grade beam



UNHCR
The UN Refugee Agency



General notes:

- 1- All dimensions in meters unless stated.
- 2- Don't scale from this drawing.
- 3- Any description found in the drawing is to be immediately brought to the notice and clarified with the main designer or supply unit.
- 4- Concrete for Ring beam 1:2:4 ratio with 20x30 cm with 12mm steel bar and use 8 mm for stirrups

Project Title:

Motherhood & Childhood care center

Drawing Title:

Reinforced concrete Ring beam

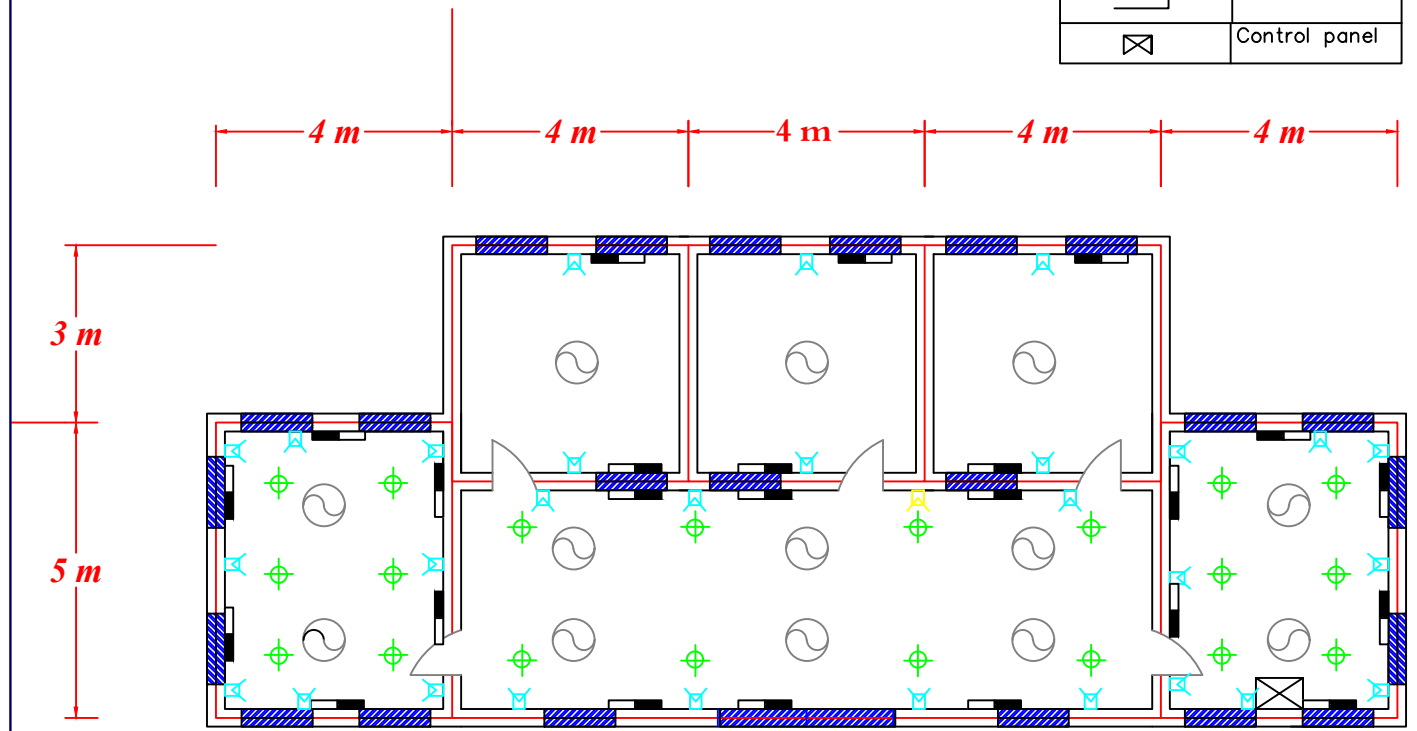


UNHCR
The UN Refugee Agency

General notes:

- 1- All dimensions in meters unless stated.
- 2- Don't scale from this drawing.
- 3- Any description found in the drawing is to be immediately brought to the notice and clarified with the main designer or supply unit.

KEY LEGEND	
ITEM	DESCRIPTION
⊕	Ceiling Lamp
⊗	Ceiling Fan
⊕	Wall Lamp
■	Lamp Key
□	Socket
⊗	Control panel



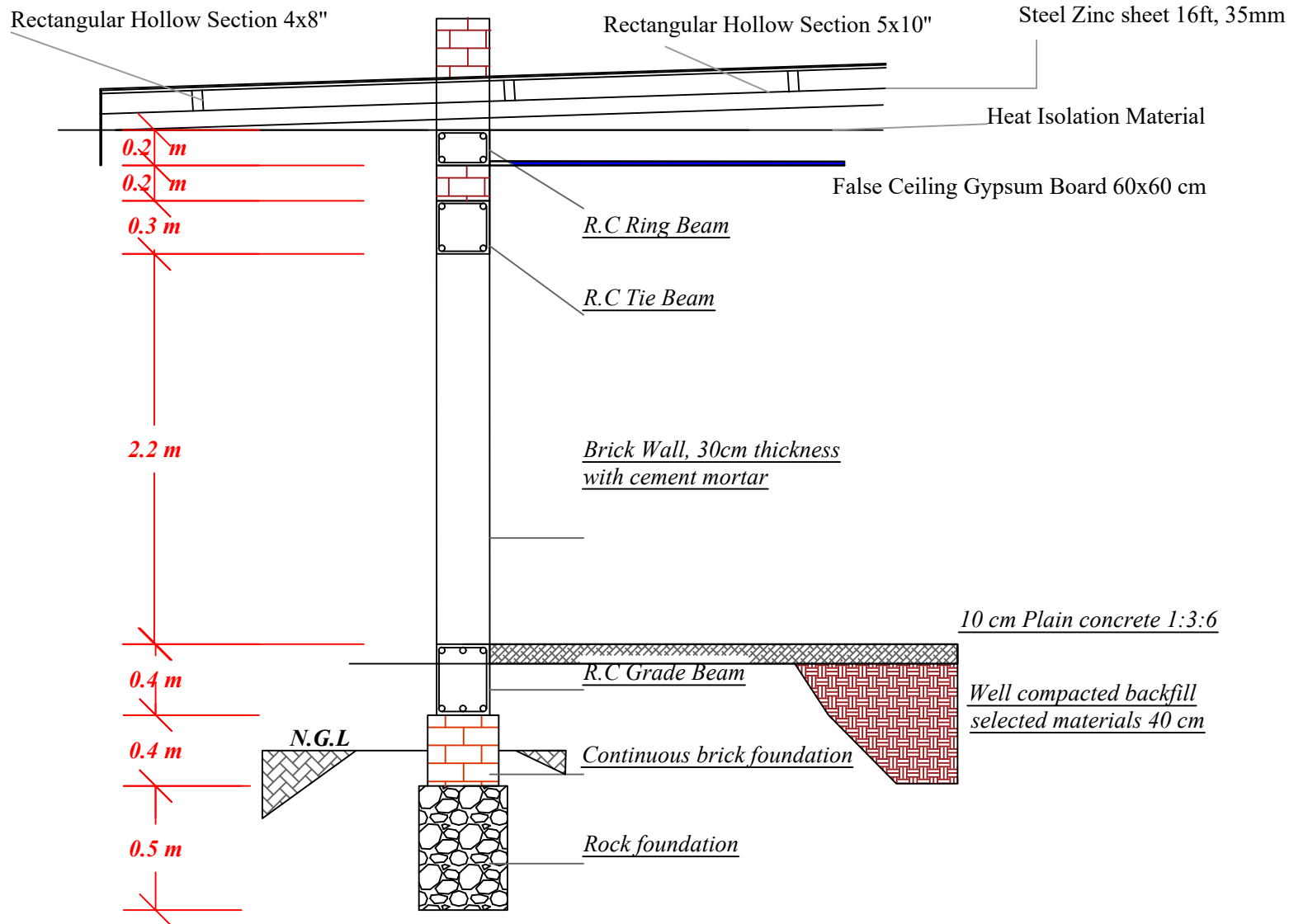
Project Title:

Motherhood & Childhood care center

Drawing Title:

Electrical details





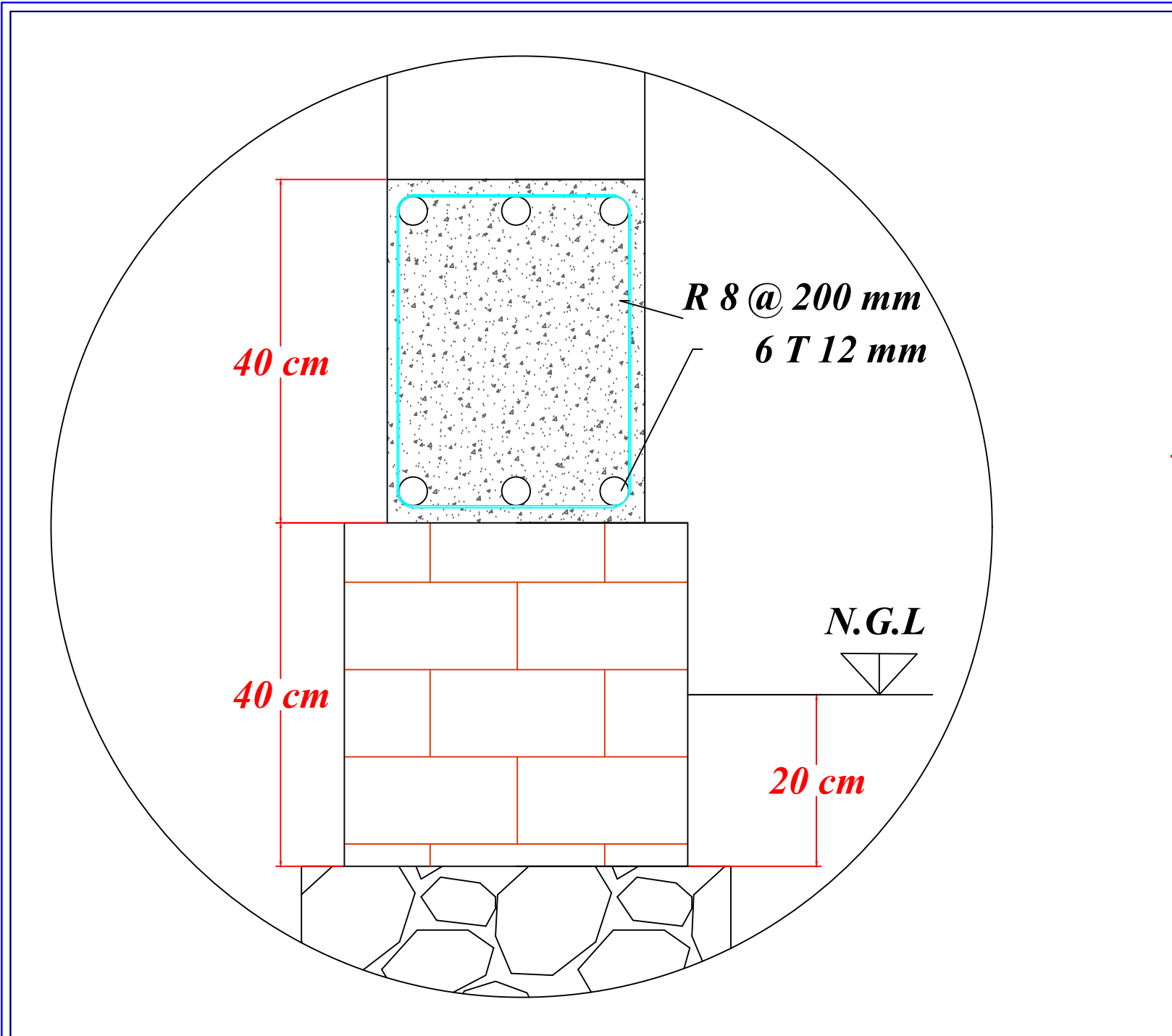
General notes:

- 1- All dimensions in meters unless stated.
- 2- Don't scale from this drawing.
- 3- Any description found in the drawing is to be immediately brought to the notice and clarified with the main designer or supply unit.

Project Title:
Motherhood & Childhood care center

Drawing Title:
Reinforced Wal section





General notes:

- 1- All dimensions in meters unless stated.
- 2- Don't scale from this drawing.
- 3- Any description found in the drawing is to be immediately brought to the notice and clarified with the main designer or supply unit.

Project Title:

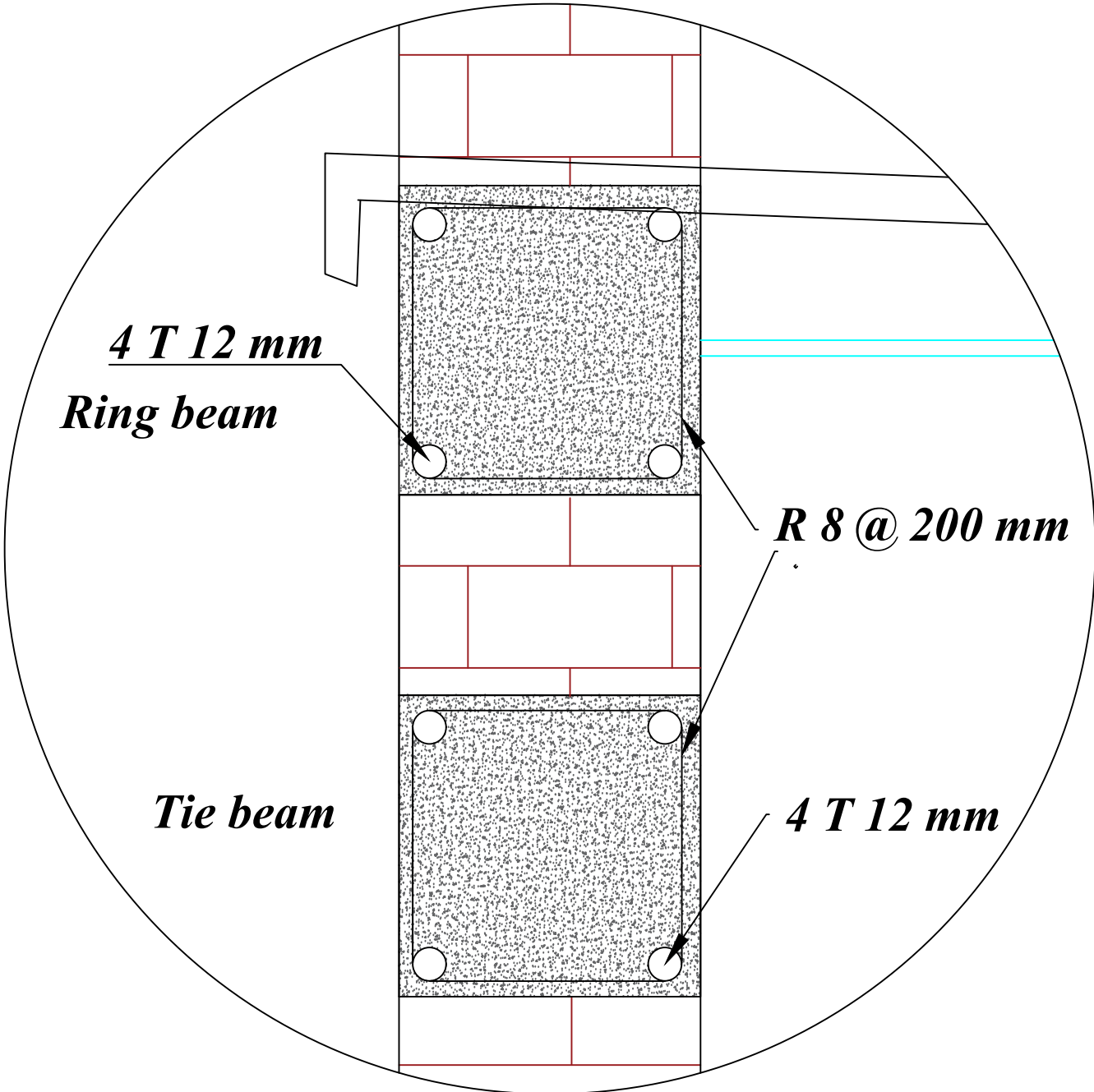
Motherhood & Childhood care center

Drawing Title:

Reinforced Wall section detail 1



UNHCR
The UN Refugee Agency



General notes:

- 1- All dimensions in meters unless stated.
- 2- Don't scale from this drawing.
- 3- Any description found in the drawing is to be immediately brought to the notice and clarified with the main designer or supply unit.

Project Title:

Motherhood & Childhood care center

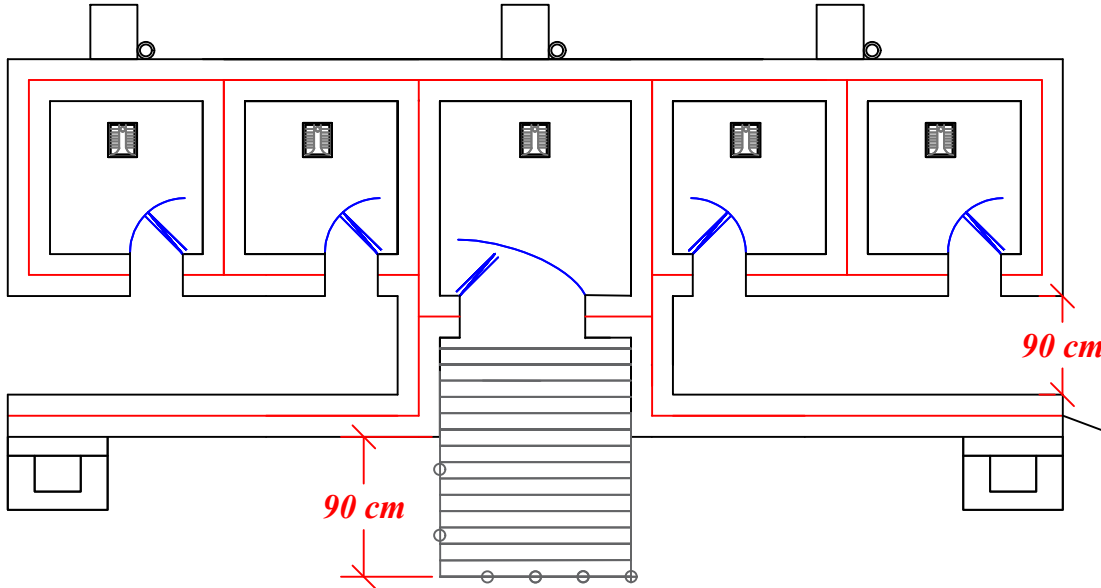
Drawing Title:

Reinforced Wall section detail 2



UNHCR
The UN Refugee Agency

1.2 m 1.2 m 1.5 m 1.2 m 1.2 m



Ramp with 1:0.08 slope

**Privacy wall
with 1.5m
height**

General notes:

- 1- All dimensions in meters unless stated.
- 2- Don't scale from this drawing.
- 3- Any description found in the drawing is to be immediately brought to the notice and clarified with the main designer or supply unit.

Project Title:

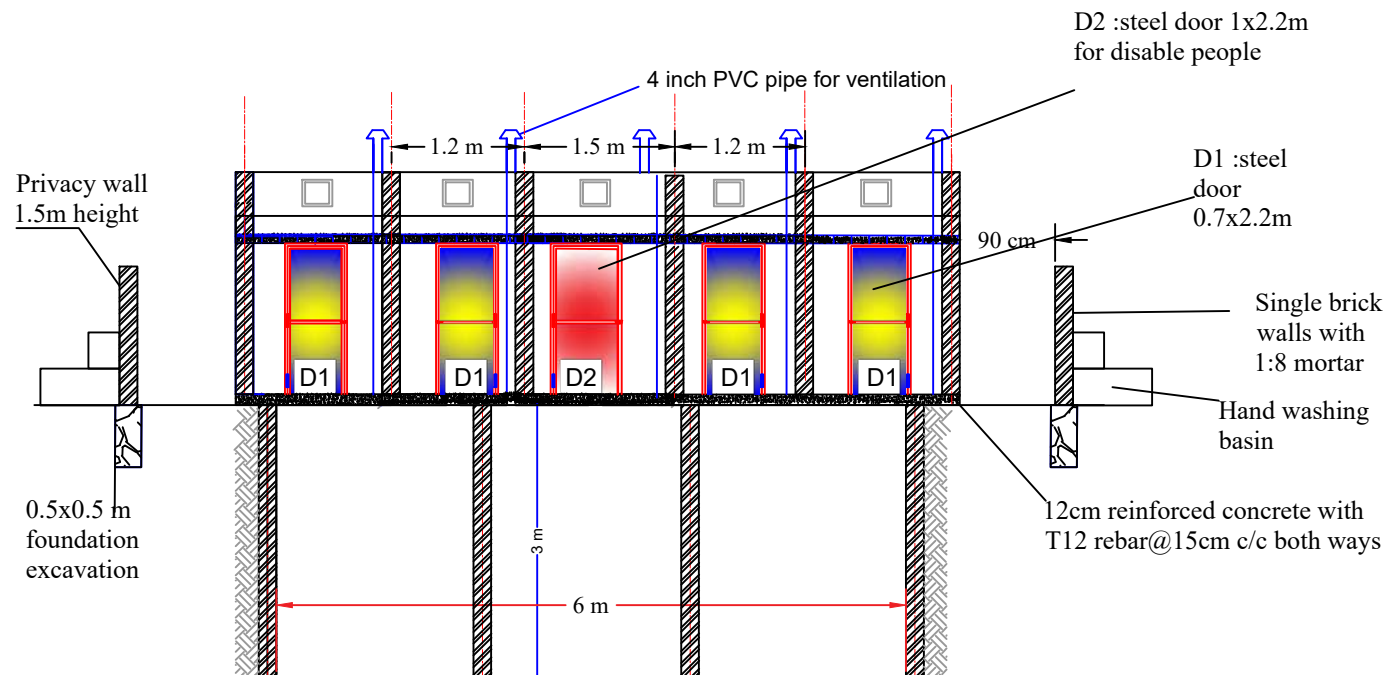
Motherhood & Childhood care center

Drawing Title:

Latrine- Plan



UNHCR
The UN Refugee Agency



General notes:

- 1- All dimensions in meters unless stated.
- 2- Don't scale from this drawing.
- 3- Any description found in the drawing is to be immediately brought to the notice and clarified with the main designer or supply unit.

Project Title:

Motherhood & Childhood care center

Drawing Title:

Latrine front view



UNHCR
The UN Refugee Agency

General notes:

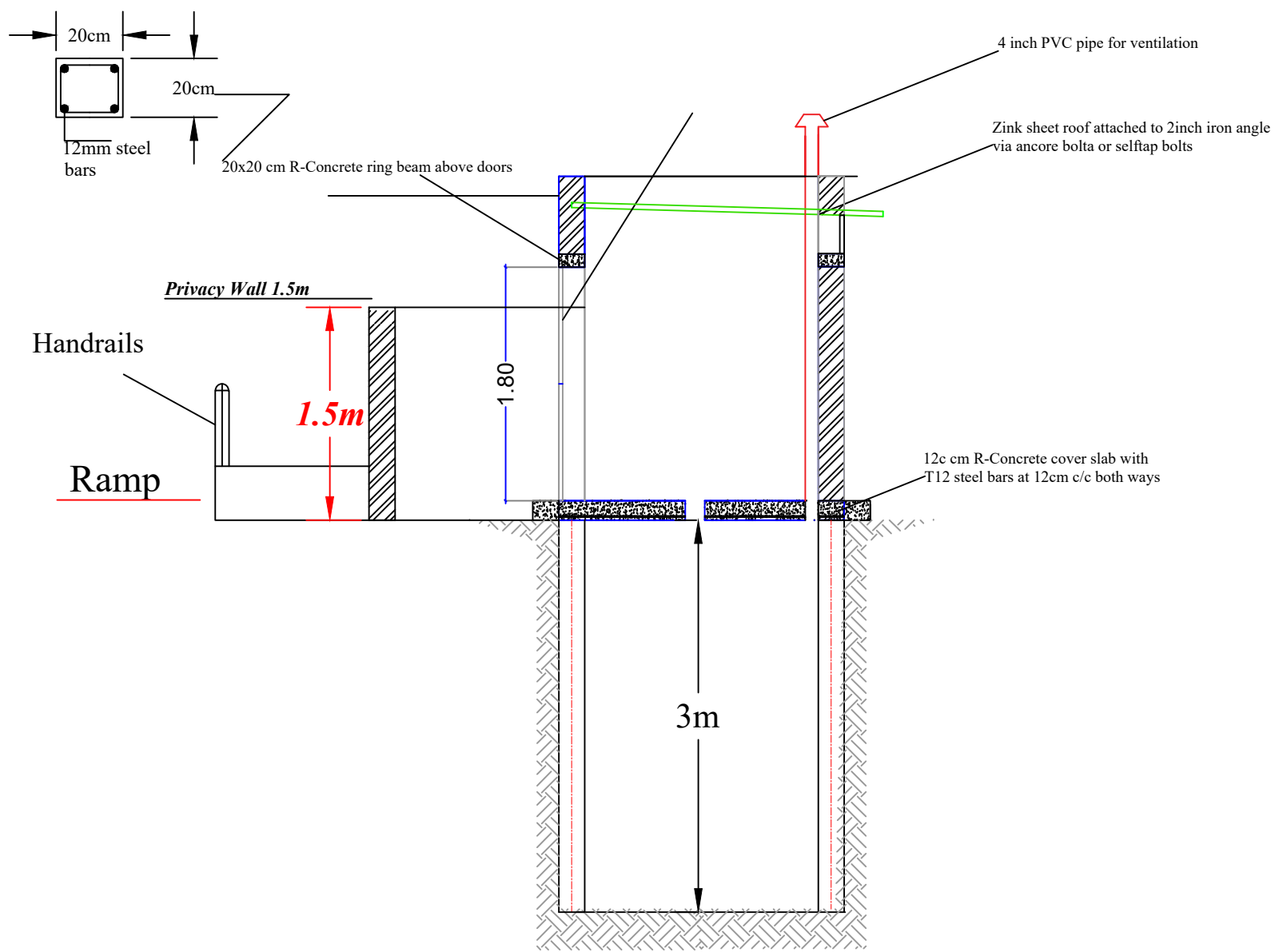
- 1- All dimensions in meters unless stated.
- 2- Don't scale from this drawing.
- 3- Any description found in the drawing is to be immediately brought to the notice and clarified with the main designer or supply unit.

Project Title:

Motherhood & Childhood care center

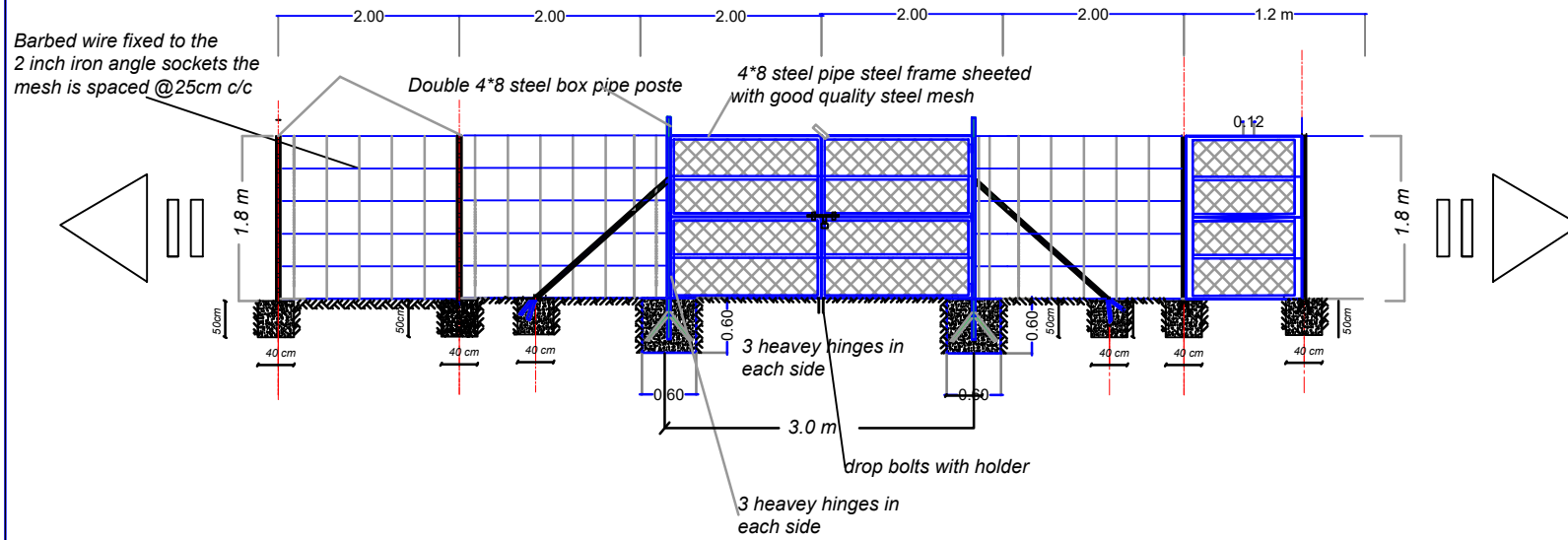
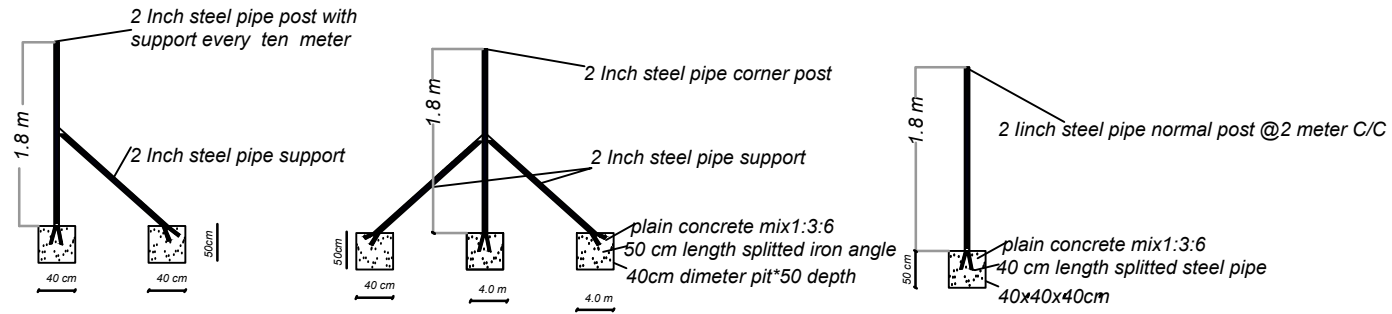
Drawing Title:

Latrine side view



General notes:

- 1- All dimensions in meters unless stated.
- 2- Don't scale from this drawing.
- 3- Any description found in the drawing is to be immediately brought to the notice and clarified with the main designer or supply unit.



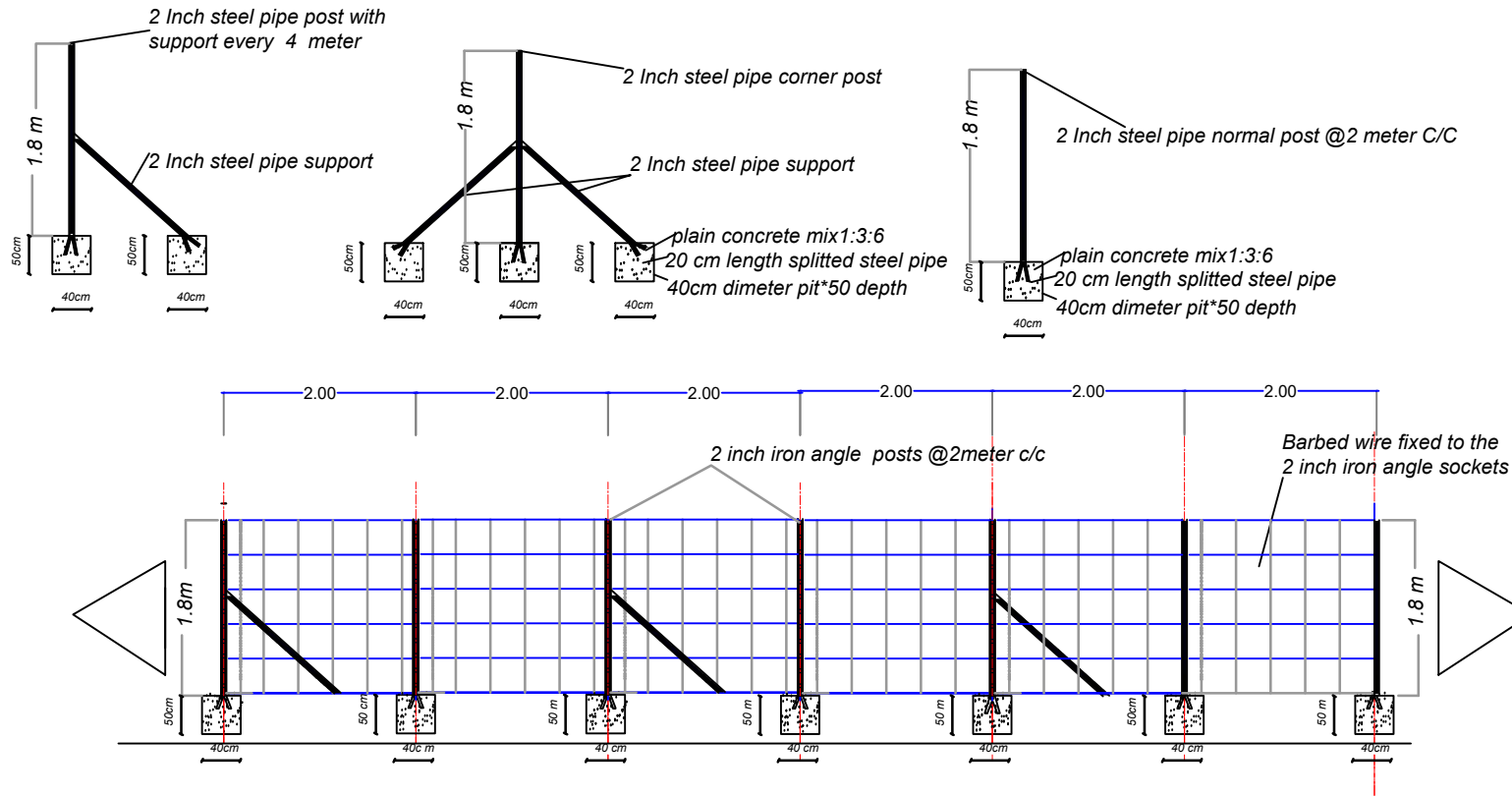
Project Title:

Motherhood & Childhood care center

Drawing Title:

Fence section detail 1





General notes:

- 1- All dimensions in meters unless stated.
- 2- Don't scale from this drawing.
- 3- Any description found in the drawing is to be immediately brought to the notice and clarified with the main designer or supply unit.

Project Title:
Motherhood & Childhood care center

Drawing Title:
Fence section detail 2

